

# DH-HAP220S

## Hi-fidelity Pickup



### Features

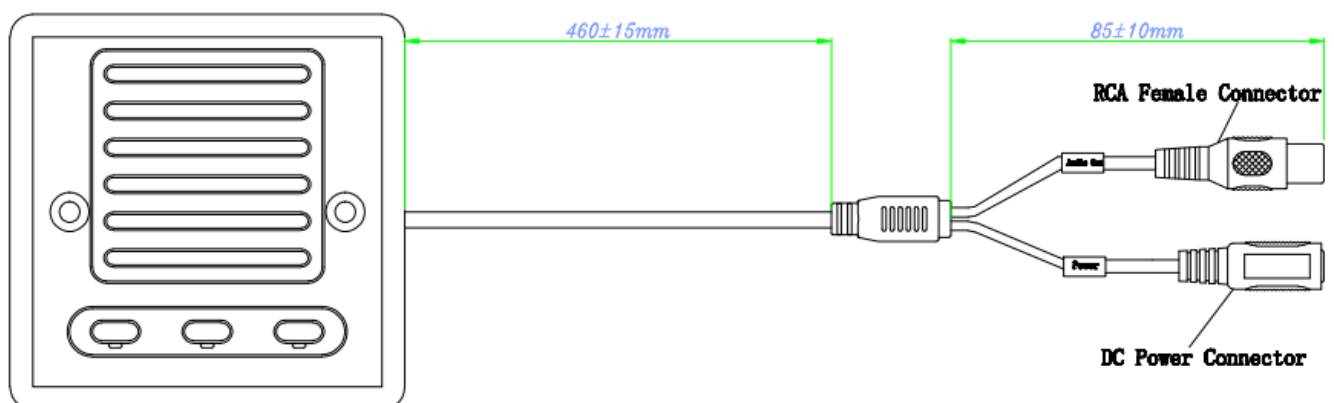
- Use high sensitivity, all directional microphone head and omnidirectional microphone, clear and natural sound;
- Automatic suppression of high-decibel sound, anti-reverberation, the effective protection of the back-end monitoring equipment;
- Four kinds of mode selection, for a variety of occasions;
- Use the United States BOURNS potentiometer to adjust the volume;
- 86 box shell, concealed installation.

## Technical Specifications

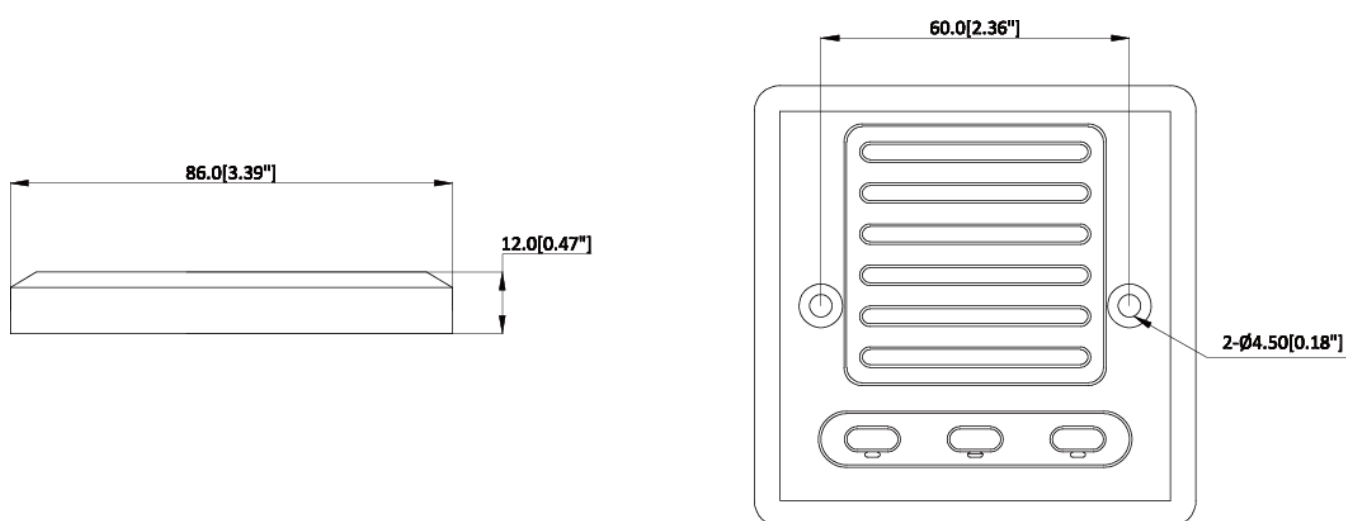
Model	DH-HAP220S
<b>General</b>	
Scope	5~100 m <sup>2</sup>
Sensitivity	-34±3dB
Frequency Response	20Hz~20kHz
Directional Characteristic	Omni-directional
SNR(re 94dBSPL=1Pa@1kHz)	70dB
Dynamic Range	86dB
Max. Sustainable Sound Pressure	110dBSPL (1kHz, THD 1%)
Output Impedance	100Ω(non-equilibrium)
Output Signal Amplitude	2.5Vpp/101dBSPL
Microphone	High-fidelity silver plated condenser microphone
Working Voltage	DC 12V
Working Current	60mA
Working Temperature	-30°C~+70°C(-22°F ~+158°F)
Material	Aluminum
Color	Silver
Dimension	86mm×86mm×12mm (3.39"×3.39"×0.47")
Weight	190g (0.42lb)
Certification	CE/FCC

## Interface information

- RCA female connector
- DC Power connector

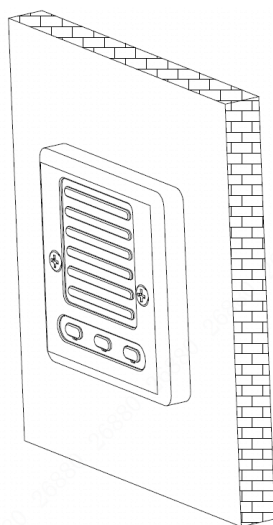


## Dimensions (mm/inch)



## Application scenarios

- It is suitable for such as jail and interrogation room.



## Package Information

- Hi-fidelity pickup \*1
- M4 screw&anchor \*3
- User manual \*1